

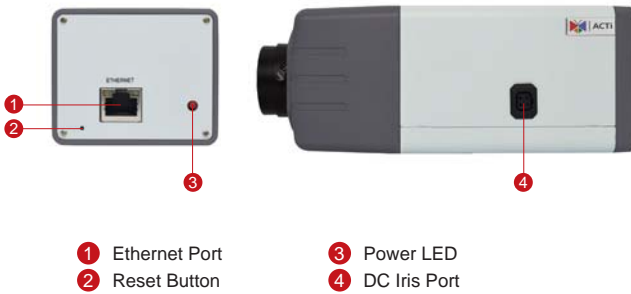
E21

1MP Box with D/N, Basic WDR, Fixed lens 1MP Box with D/N, Basic WDR, Vari-focal lens



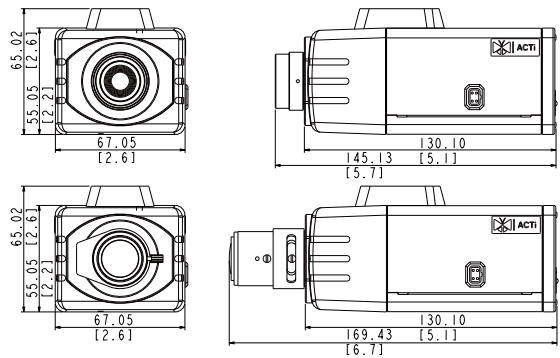
- Progressive Scan CMOS
- Day and night function with mechanical IR cut filter
- Minimum illumination 0.05 lux at F1.8 or
Minimum illumination 0.05 lux at F1.4
- Bundled f4.2mm, F1.8 Megapixel fixed lens or
Bundled f2.8-12mm, F1.4 Megapixel vari-focal lens
- 30 fps at 1280 x 720 resolution
- Selectable H.264 HP, MJPEG compressions with dual streaming
- Video motion detection
- Basic WDR
- Powered by PoE Class 2

PHOTO INDICATION



- 1 Ethernet Port
- 2 Reset Button
- 3 Power LED
- 4 DC Iris Port

DIMENSION DIAGRAM



Unit: mm [inch]

ACCESSORY OPTIONS

| Lens | | |
|-----------|--|---|
| PLEN-0119 | | IR Compatible, Fixed Iris, F2.0, 2.8mm, 79.5° |
| PLEN-0130 | | IR Compatible, Fixed Iris, F2.0, 2.93mm, 70.3° |
| PLEN-0127 | | IR Compatible, DC Iris, F1.4, 2.8-12mm, 64.2° - 24.7° |
| PLEN-0205 | | IR Compatible, DC Iris, F1.6, 8-80mm, 28.9° - 3.3° |

| Popular Mounting Solutions | | |
|----------------------------|-------------------------------------|--|
| Corner | PMAX-0202 PMAX-1101 PMAX-0402 | |
| Pole | PMAX-0202 PMAX-1101 PMAX-0503 | |

| Outdoor Housing & Bracket | | |
|---------------------------|--|--|
| PMAX-0200 | | IP66, with heater and fan powered by 110V AC, -30 °C ~ 50 °C (-22 °F ~ 122 °F), requires housing bracket |
| PMAX-0201 | | IP66, with heater and fan powered by 220V AC, -30 °C ~ 50 °C (-22 °F ~ 122 °F), requires housing bracket |
| PMAX-0202 | | IP66, -10°C ~ 50°C (14 °F ~ 122 °F), requires housing bracket |
| PMAX-1101 | | Aluminum, max. load 10 kg (22.05 lb), tilt angle 90° (For PMAX-0200, PMAX-0201, PMAX-0202) |

| Camera Bracket | | |
|----------------|--|---|
| PMAX-1100 | | Plastic, max. load 3.5 kg (7.72 lb), tilt angle 90° |

* For more mounting solutions, please refer to Mounting Accessory section of Buyer's Guide or Project Planner on www.acti.com

PRODUCT SPECIFICATION

| | E21 with Fixed lens | E21 with Vari-focal lens |
|-----------------------------------|---|--|
| • Device | | |
| Device Type | Box Camera | |
| Image Sensor | Progressive Scan CMOS | |
| Sensor Size | 1/4" (3.84 x 2.4 mm) | |
| Day / Night | Yes | |
| Minimum Illumination | Color: 0.1 lux at F1.8 (30 IRE, 2400°K); B/W: 0.05 lux at F1.8 (30 IRE, 2400°K) | Color: 0.1 lux at F1.4 (30 IRE, 2400°K); B/W: 0.05 lux at F1.4 (30 IRE, 2400°K) |
| Color to B/W switch | ISP based switch; Configurable | |
| Mechanical IR Cut Filter | Yes | |
| IR Sensitivity Range | 700 - 1100 nm | |
| IR LED | No | |
| Electronic Shutter | 1/5 ~ 1/2,000 sec (manual mode); 1/5 ~ 1/10,000 sec (auto mode) | |
| • Lens | | |
| Focal Length / Aperture | Fixed focal, f4.2 mm/F1.8 | Vari-focal, f2.8-12 mm/F1.4 |
| Iris | Fixed iris | DC iris |
| Focus | Manual focus | Manual focus |
| Lens Mount | CS Mount (interchangeable lens) | |
| Horizontal Viewing Angle | 53.8° | 64.2° - 24.7° |
| • Video | | |
| Compression | H.264 HP, MJPEG | |
| Maximum Frame Rate vs. Resolution | 30 fps at 1280 x 720; 30 fps at 640 x 480 | |
| Multi-Streaming | Simultaneous dual streams based on two configurations | |
| Bit Rate | 28 Kbps - 6 Mbps (per stream) | |
| Bit Rate Mode | Constant, Variable | |
| Image Enhancement | Basic WDR; White balance: automatic, hold, and manual; Brightness; Contrast; Sharpness(auto); Auto gain control; Digital noise reduction; Flickerless | |
| Privacy Mask | 4 configurable regions | |
| Text Overlay | User defined text on video | |
| Image Orientation | Image flip and mirror | |
| • Network | | |
| Protocol & Service | TCP, UDP, HTTP, HTTPS, DHCP, PPPoE, RTP, RTSP, IPv6, DNS, DDNS, NTP, ICMP, ARP, IGMP, SMTP, FTP, UPnP, SNMP, Bonjour | |
| Ethernet Port | 1, Ethernet (10/100 Base-T), RJ-45 connector | |
| Security | IP address filtering; HTTPS encryption; Password protected user levels; Anonymous login; IEEE 802.1X network access control* | |
| • Alarm | | |
| Alarm Trigger | Video motion detection (3 regions) | |
| Alarm Response | Notify control center; Change camera settings; Command other devices; E-mail notification with snapshots; Upload video, snapshot to FTP server | |
| • Interface | | |
| DC Iris Connector | External connector for DC Iris lens | |
| • General | | |
| Power Source / Consumption | PoE Class 2 (IEEE802.3af) / 2.436W | |
| Weight | 418.5 g (0.92lb) | 438 g (0.965lb) |
| Dimensions (W x H x D) | 67.05 mm x 65.02 mm x 145.13mm (2.6" x 2.6" x 5.7") 67.05 mm x 65.02 mm x 169.43mm (2.6" x 2.6" x 6.7") | |
| Environmental Casing | Optional housing (IP66 rated) | |
| Operating Temperature | -10°C ~ 50°C (14°F ~ 122°F) | |
| Operating Humidity | 10% ~ 85% RH | |
| Approvals | CE (EN 55022 Class B, EN 55024), FCC (Part15 Subpart B Class B) | |
| • Integration | | |
| Unified Solution | Fully compatible with ACTi software | |
| ISV Integration | Software Development Kit (SDK) available, ONVIF compliant | |
| Firmware Access Browser | Microsoft Internet Explorer 8.0 or newer (full functionality); Other browsers with VLC installed (partial functionality) | |

* All specifications are subject to change without notice.

* All brand names and registered trademarks are the property of their respective owners.