

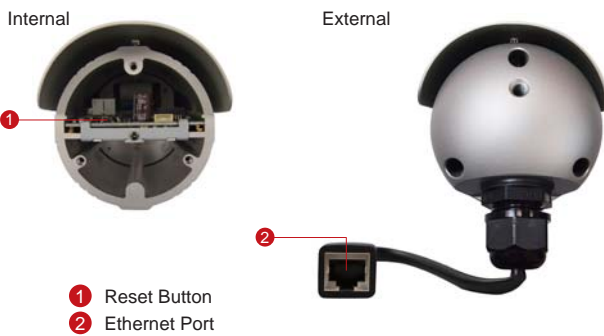
D32

3MP Bullet with D/N, IR, Fixed lens

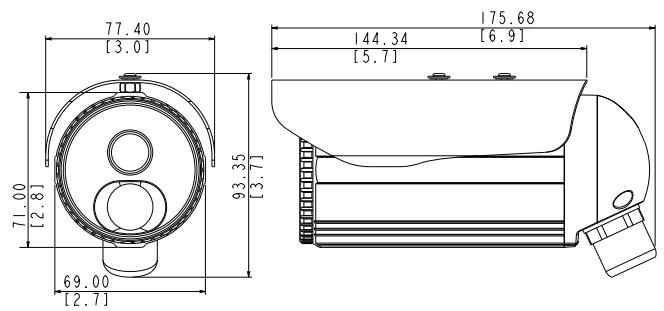


- Progressive Scan CMOS
- Day and night function with mechanical IR cut filter
- Minimum illumination 0 lux with IR LED on
- Built-in f4.2 mm / F1.8 Megapixel fixed lens
- 15 fps at 2048 x 1536 resolution
- Selectable H.264 HP, MJPEG compressions with dual streaming
- Video motion detection
- Weatherproof IP66 rated casing
- Powered by PoE Class 2

PHOTO INDICATION



DIMENSION DIAGRAM



Unit: mm [inch]

ACCESSORY OPTIONS

Camera Bracket

PMAX-1103



Aluminum, max. load 10 kg (22.05 lb), tilt angle 90°, swivel angle 360°

Popular Mounting Solutions

| | | |
|--------|------------------------|--|
| Corner | PMAX-1103 PMAX-0402 | |
| Pole | PMAX-1103 PMAX-0502 | |

* For more mounting solutions, please refer to Mounting Accessory section of Buyer's Guide or Project Planner on www.acti.com

PRODUCT SPECIFICATION

D32

• Device

| | |
|--------------------------|---|
| Device Type | Bullet Camera |
| Image Sensor | Progressive Scan CMOS |
| Day / Night | Yes |
| Minimum Illumination | Color: 0.1 lux at F1.8 (30 IRE, 2400°K); B/W: 0 lux (IR LED on) |
| Color to B/W switch | ISP based switch; Configurable |
| Mechanical IR Cut Filter | Yes |
| IR Sensitivity Range | 700 - 1100 nm |
| IR LED | IR LED x 1 (850 nm) |
| IR Working Distance | 10 m (0 lux, 30 IRE, Max Exposure Gain) |
| Electronic Shutter | 1/5 ~ 1/2,000 sec (manual mode); 1/5 ~ 1/10,000 sec (auto mode) |

• Lens

| | |
|--------------------------|-----------------------------|
| Focal Length / Aperture | Fixed focal, f4.2 mm / F1.8 |
| Iris | Fixed iris |
| Focus | Fixed Focus |
| Lens Mount | Board Mount |
| Horizontal Viewing Angle | 63.27° |

• Video

| | |
|-----------------------------------|--|
| Compression | H.264 HP, MJPEG |
| Maximum Frame Rate vs. Resolution | 15 fps at 2048 x 1536; 30 fps at 1920 x 1080; 30 fps at 1280 x 720; 30 fps at 640 x 480 |
| Multi-Streaming | Simultaneous dual streams based on two configurations |
| Bit Rate | 28 Kbps - 6 Mbps (per stream) |
| Bit Rate Mode | Constant, Variable |
| Image Enhancement | White balance: automatic, hold, and manual; Brightness; Contrast; Sharpness(auto); Auto gain control; Digital noise reduction; Flickerless |
| Privacy Mask | 4 configurable regions |
| Text Overlay | User defined text on video |
| Image Orientation | Image flip and mirror |

• Network

| | |
|--------------------|---|
| Protocol & Service | TCP, UDP, HTTP, HTTPS, DHCP, PPPoE, RTP, RTSP, IPv6, DNS, DDNS, NTP, ICMP, ARP, IGMP, SMTP, FTP, UPnP, SNMP, Bonjour |
| Ethernet Port | 1, Ethernet (10/100 Base-T), RJ-45 connector |
| Security | IP address filtering; HTTPS encryption; Password protected user levels; Anonymous login; IEEE 802.1X network access control |

• Alarm

| | |
|----------------|--|
| Alarm Trigger | Video motion detection (3 regions) |
| Alarm Response | Notify control center; Change camera settings; Command other devices; E-mail notification with snapshots; Upload video, snapshot to FTP server |

• General

| | |
|----------------------------|---|
| Power Source / Consumption | PoE Class 2 (IEEE802.3af) / 4.88 W (IR on) |
| Weight | 515 g (1.14 lb) |
| Dimensions (Ø x L) | 77 mm x 176 mm (3.0" x 6.9") |
| Bundled Accessories | Bracket |
| Environmental Casing | Weatherproof (IP66 rated) |
| Mount Type | Wall, Ceiling, Corner, Pole |
| Operating Temperature | -20°C ~ 50°C (-4°F ~ 122°F) |
| Operating Humidity | 10% ~ 85% RH |
| Approvals | CE (EN 55022 Class B, EN 55024), FCC (Part15 Subpart B Class B), IP66 |

• Integration

| | |
|-------------------------|--|
| Unified Solution | Fully compatible with ACTi software |
| ISV Integration | Software Development Kit (SDK) available; ONVIF compliant |
| Firmware Access Browser | Microsoft Internet Explorer 8.0 or newer (full functionality); Other browsers with VLC installed (partial functionality) |