

## DH-SD6363E/65E/66E-HN

18x/28x/36x D1 WDR Network PTZ Dome Camera

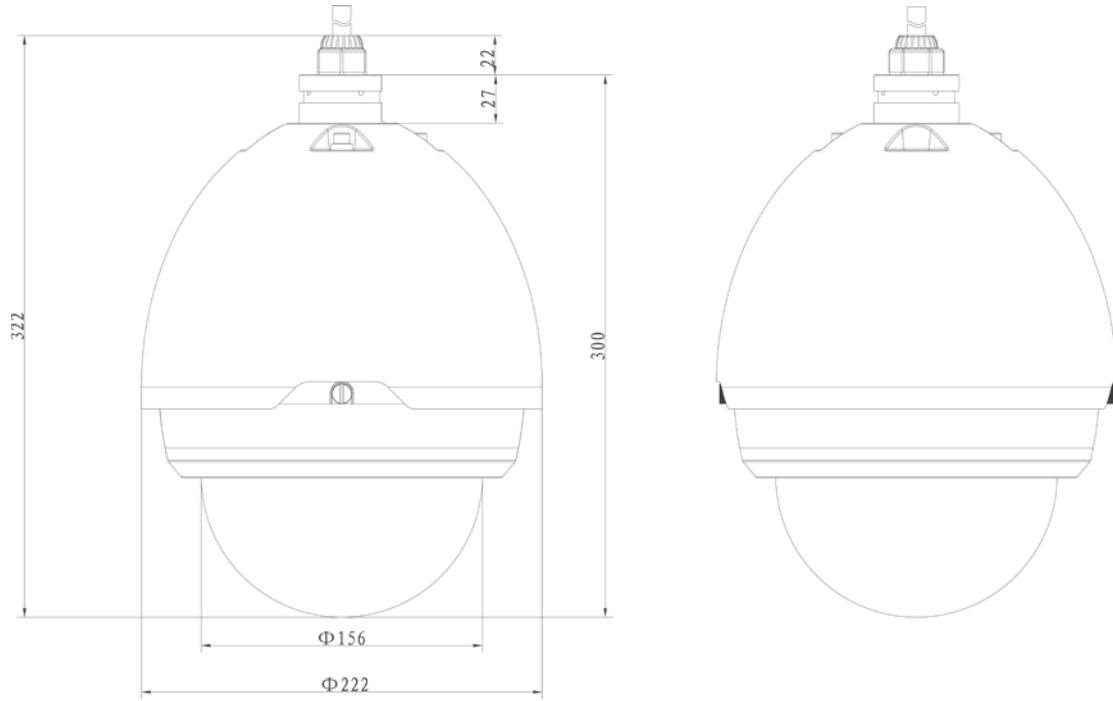


### Features

- Powerful 18x/28x/36x optical zoom
- H.264 & MJPEG dual-stream encoding and JPEG image capture
- 25/30fps@D1(4CIF)/ CIF/VGA resolution
- WDR, Day/Night (ICR), DNR (2D&3D), Auto iris, Auto focus, AWB, AGC, BLC
- Multiple network monitoring: Web viewer, CMS(DSS/PSS) & DMSS
- Max 300 °/s pan speed, 360° continuous pan rotation
- Up to 255 presets, 5 auto scan, 8 tour, 5 pattern
- Built-in 7/2 alarm in/out
- Support intelligent 3D positioning with DH-SD protocol
- Micro SD memory, IP66

## DH-SD6363E/65E/66E-HN

### Dimensions (mm)



## DH-SD6363E/65E/66E-HN

### Technical Specifications:

Model	DH-SD6363E-HN	DH-SD6365E-HN	DH-SD6366E-HN
<b>Camera</b>			
Image Sensor	1/4" EXview HAD CCD		
Effective Pixels	PAL: 752(H) x 582(V), NTSC: 768(H) x 494(V)		
Scanning System	Progressive		
Electronic Shutter Speed	1/3(4) ~ 1/10000 sec (20 steps)		
Min. Illumination	0.7 lux (F1.4, 50IRE)	0.65 lux (F1.35, 50IRE)	1.4 lux (F1.6, 50IRE)
	0.04 lux/Color	0.04 lux/Color	0.1 lux/Color
	0.01 lux/B/W, (1/3,1/4 sec)	0.005 lux/B/W, (1/3,1/4 sec)	0.01 lux/B/W, (1/3,1/4 sec)
S/N Ratio	More than 50dB		
Video Output	BNC(1.0Vp-p/75Ω), PAL / NTSC		
<b>Camera Features</b>			
Day/Night	Auto(ICR) / Color / B/W		
Backlight Compensation	BLC / HLC / WDR		
White Balance	Auto, ATW, Indoor, Outdoor, Manual		
Gain Control	Auto / Manual		
Noise Reduction	2D / 3D		
Digital Zoom	12x		
<b>Lens</b>			
Focal Length	4.1mm ~ 73.8mm (18x optical zoom)	3.5mm ~ 98.0mm (28x optical zoom)	3.4mm~ 122.4mm (36x optical zoom)
Max Aperture	F1.4 ~ F3.0	F1.35 ~ F3.7	F1.6 ~ F4.5
Focus Control	Auto / Manual		
Angle of View	H: 48°~ 2.8°	H:55.8° ~ 2.1°	H:57.8°~ 1.7°
Close Focus Distance	10mm ~ 800mm	10mm~ 1500mm	10mm ~ 1500mm
<b>PTZ</b>			
Pan/Tilt Range	Pan: 0° ~ 360° endless; Tilt: -2° ~ 90°, auto flip 180°		
Manual Control Speed	Pan: 0.1° ~ 300°/s; Tilt: 0.1° ~ 150°/s		
Preset Speed	Pan: 300°/s; Tilt: 200°/s		
Preset	80(DH-SD) , 255(Pelco-P/D)		
PTZ Mode	5 Pattern, 8 Tour, Auto Pan, Auto Scan		
Speed Setup	Human-oriented focal length / speed adaptation		
Power up Action	Auto restore to previous PTZ and lens status after power failure		
Idle Motion	Activate Preset/Pan/Scan/Tour/Pattern if there is no command in the specified period		
Time Task	Auto activation of Preset/Pan/Scan/Tour/Pattern by preset-time		
Protocol	DH-SD, Pelco-P/D (Auto recognition)		
<b>Video</b>			
Compression	H.264 / MJPEG		
Resolution	D1(704×576/704×480) / CIF(352×288/352×240) / QCIF(176×144/176×128) / VGA(640×480) / QVGA(320×240)		

## DH-SD6363E/65E/66E-HN

Record	Main Stream	1~25/30fps at all resolution
Speed	Sub Stream	1~25/30fps at all resolution
Bit Rate		56K ~ 4096Kbps
<b>Audio</b>		
Compression		G.711a / G.711u (32kbps) / PCM (128kbps)
Interface		1/1 channel In/Out
<b>Network</b>		
Ethernet		RJ-45 (10/100Base-T)
Protocol		IPv4/IPv6, HTTP, HTTPS, SSL, TCP/IP, UDP, UPnP, ICMP, IGMP, SNMP, RTSP, RTP, SMTP, NTP, DHCP, DNS, PPPOE, DDNS, FTP, IP Filter, QoS, Bonjour
ONVIF		ONVIF Ver. 2.0 conformance
Max. User Access		20 users
Smart Phone		iPhone, iPad, Android, Windows Phone
<b>Auxiliary Interface</b>		
Memory Slot		Micro SD, Max 32GB
RS485		1
Alarm		7/2 channel In/Out
<b>General</b>		
Power Supply		AC24V/3A (±10%), DC12V optional
Power Consumption		15W, 25W(Heater on)
Working Environment		-40°C ~ 60°C / Less than 90% RH
Ingress Protection		IP66, IK10 optional
Dimensions		Φ222(mm) x 324 (mm)
Weight		5.0kg

<http://www.asi.ind.in>

### **Dahua Technology Co., Ltd.**

1187 BinAn Road, Binjiang District, Hangzhou, China

Tel: +86-571-87688883

Fax: +86-571-87688815

Email: [overseas@dahuatech.com](mailto:overseas@dahuatech.com)

[www.dahuatech.com](http://www.dahuatech.com)

\*Design and specifications are subject to change without notice.

© 2012 Dahua Technology Co., Ltd.