

DS-2CC102/112/192P(N)-IRA IR Bullet Camera



Key Features

- Compact design
- 1/3" Sony CCD
- Low illumination
- Up to 110m IR range
- Auto white balance, auto gain control, electronic shutter control and backlight compensation
- Internal synchronization
- IP66 rating

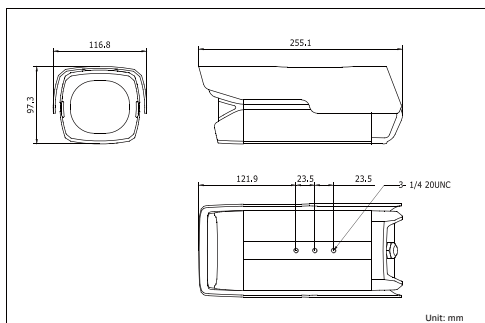
Specifications

| | DS-2CC102P(N)-IRA | DS-2CC112P(N)-IRA | DS-2CC192P(N)-IRA |
|-----------------------|---|---|---|
| Camera | | | |
| Image sensor | 1/3" Sony CCD | | |
| Signal system | PAL / NTSC | | |
| Effective pixels | PAL: 500 (H) × 582 (V) NTSC: 510 (H) × 492 (V) | PAL: 752 (H) × 582 (V) NTSC: 768 (H) × 494 (V) | PAL: 752 (H) × 582 (V) NTSC: 768 (H) × 494 (V) |
| Min. illumination | 0.1 lux@F1.2, AGC on, 0 lux with IR 0.14 lux@F1.4, AGC on, 0 lux with IR | | |
| Shutter time | PAL: 1/50s ~ 1/100,000s NTSC: 1/60s ~ 1/100,000s | | |
| Lens | 25 mm @F1.4 (16mm optional) Angle of view: 13.5° (25mm) | | |
| Lens mount | CS mount | | |
| Day & night | Electronic | | |
| Horizontal resolution | 420 TVL | 480 TVL | 540 TVL |
| Synchronization | Internal synchronization | | |
| Video output | 1Vp-p composite output (75Ω / BNC) | | |
| S/N ratio | More than 48 dB | | |
| BLC | On | | |
| General | | | |
| Operating conditions | -10°C ~ 60°C (14°F ~ 140°F) Humidity 90% or less (non-condensing) | | |
| Power supply | 24 VAC ± 10% (12 VDC ± 10% optional) | | |
| Power consumption | 15W max. | | |
| Weather-proof rating | IP66 | | |
| IR range | Approx. 100 ~ 110m | | |
| Dimensions | 116.8 × 97.3 × 255.1 mm (4.60" × 3.83" × 10.04") | | |
| Weight | 2500g (5.50 lbs) | | |

Available models

DS-2CC102P-IRA, DS-2CC102N-IRA, DS-2CC112P-IRA
DS-2CC112N-IRA, DS-2CC192P-IRA, DS-2CC192N-IRA

Dimensions



Accessories



DS-1212ZJ-S
(Indoor wall mount)



DS-1213ZJ-S
(Outdoor wall mount)