

## HD3MDIH

### equiP® SERIES 720p VFAI LENS TRUE DAY/NIGHT H.264 INDOOR FIXED MINIDOME IP CAMERA

From Honeywell's equiP Series of IP-based products, the HD3MDIH is a high definition, True Day/Night indoor fixed minidome network camera engineered to provide extremely crisp images at minimal bandwidth. The HD3MDIH provides 720p resolution at full frame rate. Progressive scan technology and 2D edge enhancement provide outstanding clarity and definition. Digital Noise Reduction results in significant storage savings without sacrificing image quality in low light. The 1/4" progressive scan CMOS sensor offers the latest in digital video surveillance technology with accurate color rendition through a wide variety of lighting conditions. The HD3MDIH also supports the PSIA specification for interoperability between network video products.

The compact, one piece design provides fast and easy installation in any application. The camera comes complete with surface and flush mounting options (compatible with a 4S electrical box) and an optional wall/pendant mount kit is available.

In addition to the low-light color performance, the camera will automatically switch to black and white. In this mode, lighting can be complemented with infrared for discreet/covert low-light surveillance with exceptional monochrome images.

A 3D axis gimbal capable of 360° of pan, 180° of tilt and 360° of horizontal rotation simplifies mechanical camera adjustment. The Varifocal Auto Iris lens allows the field of view to be adjusted to suit the scene requirements.

A powerful and intuitive web client allows fine tuning of the camera and the auto iris levels. This can also be performed from most DVR/NVR setup utilities.

The HD3MDIH supports dual video streams and multiple compression formats with frame rates up to 30 frames per second (25 fps for PAL systems). The compression parameters for the two video streams are independently configurable. The primary stream is dedicated to H.264. The secondary stream can be configured for H.264 or MJPEG. The HD3MDIH features analog video out for aiming and focusing during setup.

With built-in low current Power over Ethernet (IEEE 802.3af), power is supplied to the camera using standard network cabling, eliminating the need for a separate power supply and associated wiring. In retrofit situations where PoE support does not exist, the unit can also be powered directly from 24 V AC.

#### Market Opportunities

The HD3MDIH is perfect for installations where excellent picture clarity at minimal bandwidth is required. At three times the resolution of standard analog cameras, yet with similar bandwidth requirements, the HD3MDIH can be retrofitted on many existing DVR/NVR installations without requiring additional storage.

#### Features

- Outstanding image quality, 720p (1280 x 720) resolution
- 30 fps (25 fps PAL) progressive scan
- True Day/Night, VFAI lens with removable IR cut filter
- Camera tamper detection
- Video motion detection
- Wall/pendant mount kit available
- Selectable compression formats
- PSIA support
- Dual digital video streams, independently configurable, H.264 and/or H.264/MJPEG
- Remote firmware update
- Supports both dynamic and static IP addresses
- Single model for surface mount and recessed ceiling applications, 4S adapter plate also supplied
- Includes advanced IP locator software to make system setup easy
- Web server for remote setup of camera video and network parameters
- Choice of 24 V AC or PoE IEEE 802.3af power inputs
- Supports input and output alarm contacts
- Supports bidirectional audio



HD3MDIH shown with mount skirt for surface mount



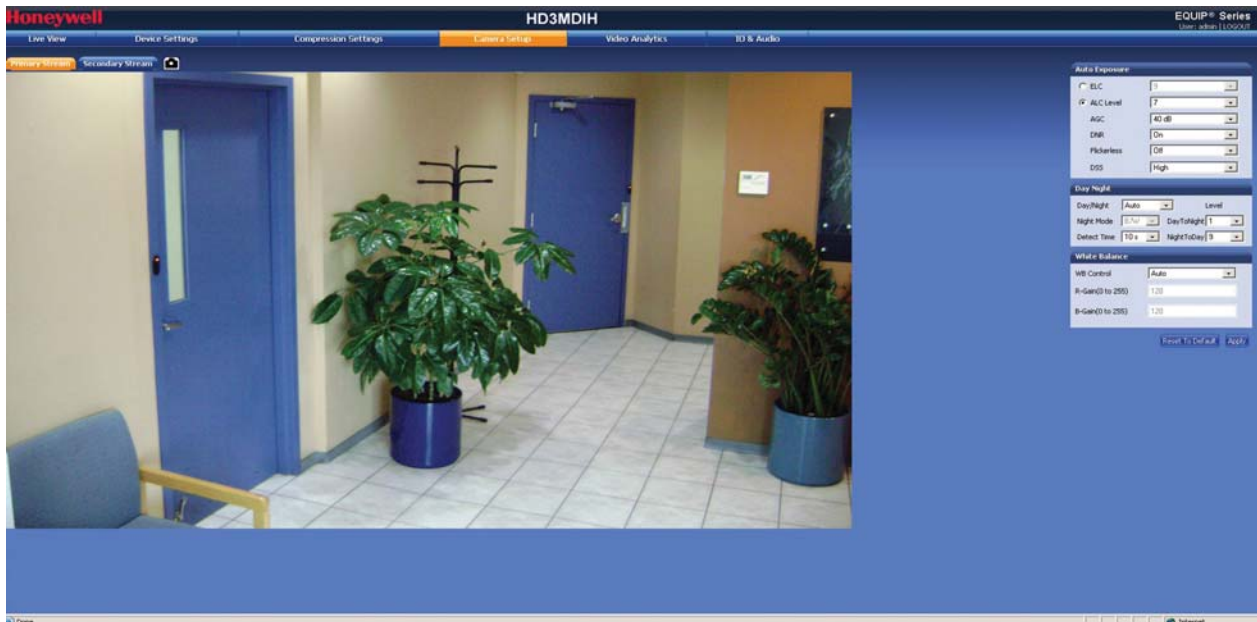
HD3MDIH shown without mount skirt for flush mount



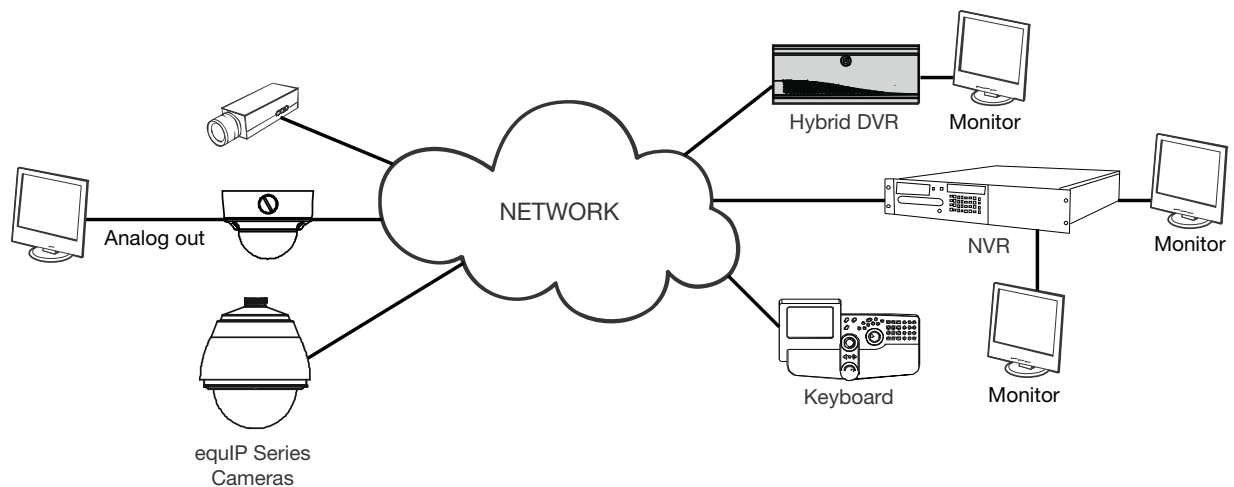
# HD3MDIH

## SPECIFICATIONS

Like all cameras in the equiP Series of IP-based products, the HD3MDIH network camera uses Honeywell technology for video motion detection, tamper detection, remote firmware updating and for secure storage of all camera settings. Video motion detection recognizes object motion within the field of view; then a simple on-screen notification alerts the user. Camera tamper detection notifies the user when a camera's field of view is altered, blinded or blurred. This ensures the video's integrity and alerts the customer to either a live event or a system problem that is causing disruption to the video stream. Honeywell's technology also allows users to remotely upload firmware to the camera. Setup is quick and easy and can be customized through a web client or from an NVR or DVR. The built-in web server provides password protected access to the camera's video and network setup.



## System Diagram



## SPECIFICATIONS

Operational	
Video Standard	NTSC, PAL
Scanning System	Progressive scan
Image Sensor	1/4" CMOS
Number of Pixels (H x V)	1280 x 720
Minimum Illumination	0.25 lux color/0.22 lux BW @ 50 IRE, F1.6 0.11 lux color/0.09 lux BW @ 30 IRE, F1.6
Automatic Lens Control	DC Iris Level 1-25
Video Output (AUX)	1.0 Vp-p @ 75 ohms
S/N Ratio	50 dB or more (AGC off)
Auto Gain Control	Off/On, selectable (10-40 dB)
Automatic Electronic Shutter	1/60-1/24,500 sec (NTSC) 1/50-1/24,500 sec (PAL)
Lens Type	True Day/Night (TDN) 3.3-12 mm Varifocal Auto Iris, F1.6 (HD3MDIH) 2.5-6 mm Varifocal Auto Iris, F1.2 (HD3MDIH01) 10-28 mm Varifocal Auto Iris, F1.8 (HD3MDIH02)
White Balance	AWC, AWC Push, Manual
Audio/Two-Way	Line in/out
Electrical	
Input Voltage	24 V AC, PoE IEEE 802.3af
Input Range	17-28 V AC
Surge Suppression	1.5 kW transient
Power Consumption	3.5 W (max) 24 V AC PoE: PD Type 1, Class 1
Mechanical	
Dimensions (W x H)	4.9" x 4.9" (125.1 mm x 124.2 mm)
Weight	1.0 lb (0.45 kg) camera only
Construction	Housing: Polycarbonate Finish: Matte texture, off white
Connector	Video Output: 2-pin Molex connector Power Input: Removable screw block Network: RJ45 connector Alarm I/O: Removable screw block Audio In: Removable screw block Audio Out: Removable screw block

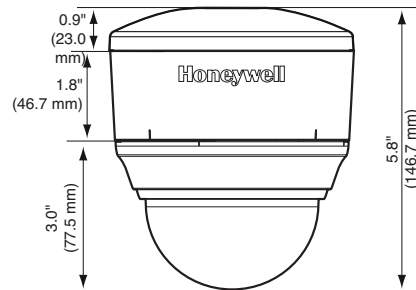
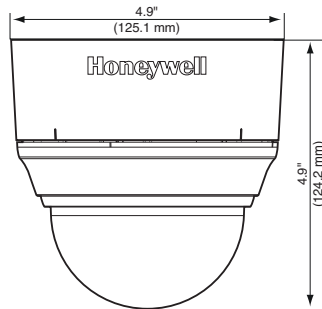
Environmental			
Temperature	Operating: -22°F to 140°F (-30°C to 60°C) Storage: -40°F to 158°F (-40°C to 70°C)		
Relative Humidity	0% to 85%, non-condensing		
IP Specifications			
Video Compression	Dual stream H.264 and MJPEG		
Resolution	Bitrate H.264 (Typical)*	Frame Rate	Storage/Day (GB)
1280 x 720	1.8 Mbps	30/25	18.98
800 x 450	1.2 Mbps	30/25	12.65
640 x 360	0.6 Mbps	30/25	6.33
320 x 180	0.21 Mbps	30/25	0.89
Frame Rate NTSC/PAL	Up to 30/25 fps video in all resolutions		
Video Streaming	Dual streaming: H.264 and MJPEG Controllable frame rate and bandwidth Constant or variable bit rate		
Security	Multiple user access levels with password protection		
Video Access from Web Browser	Full control of all camera settings available to administrator		
Minimum Web Browsing Requirements	Pentium IV CPU 3.1 GHz or faster 1 GB RAM (32-bit) or 2 GB RAM (64-bit) Windows XP® SP3, Windows 2003 Server R2 (32-bit), Windows 7 (32-/64-bit), Windows 2008 Server (32-/64-bit), Windows 2008 R2 (64-bit) Internet Explorer 6, 7, 8, or 9		
Installation and Management Maintenance	Honeywell IP Utility software identifies the IP address, checks status of device, firmware upgrades over HTTP		
Supported Protocols	HTTP, TCP, RTSP, RTP, UDP, ARP, DNS, RTCP, FTP, ICMP, DHCP, Bonjour, IGMP, Telnet		
Standards	PSIA support		
Regulatory			
Emissions	FCC part 15B, CE (EN55022)		
Immunity	CE (EN50130-4)		
Safety	EU: 60950-1 North America ETL listed to UL/CSA 60950-1		

\*Actual bitrate is scene and motion dependent with H.264 stream.

## SPECIFICATIONS

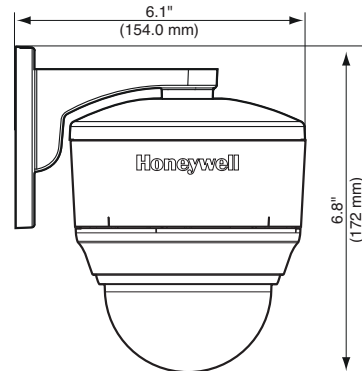
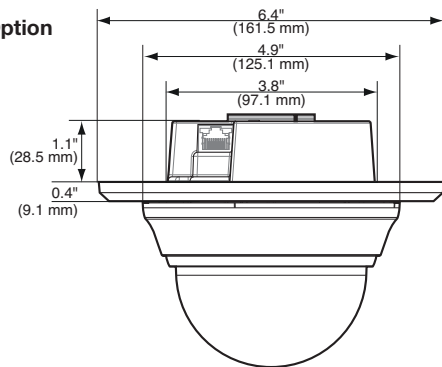
System Integration
Open IP Integration
<p>PSIA support and open API for real interoperability between Honeywell and other manufacturers' IP-enabled security devices. Refer to the Honeywell Open Technology Alliance [<a href="http://www.security.honeywell.com/hota/">http://www.security.honeywell.com/hota/</a>] to learn more about our open and integrated solutions.</p>

Accessories		
Housing and Mounts		
<table border="1"> <tr> <td>HD3-MK1</td> <td>Wall/Pendant Mount Kit, Off White</td> </tr> </table>	HD3-MK1	Wall/Pendant Mount Kit, Off White
HD3-MK1	Wall/Pendant Mount Kit, Off White	



Pendant Mount Option

Flush Mount Option



Wall Mount Option

Ordering	
HD3MDIH	Network TDN Indoor Fixed Minidome Camera, 1/4" Progressive Scan, CMOS, 720p Resolution, 3.3-12 mm VFAI Lens, 24 V AC or PoE IEEE 802.3af, H.264, NTSC
HD3MDIHX	Network TDN Indoor Fixed Minidome Camera, 1/4" Progressive Scan, CMOS, 720p Resolution, 3.3-12 mm VFAI Lens, 24 V AC or PoE IEEE 802.3af, H.264, PAL
HD3MDIH01	Network TDN Indoor Fixed Minidome Camera, 1/4" Progressive Scan, CMOS, 720p Resolution, 2.5-6 mm VFAI Lens, 24 V AC or PoE IEEE 802.3af, H.264, NTSC
HD3MDIH01X	Network TDN Indoor Fixed Minidome Camera, 1/4" Progressive Scan, CMOS, 720p Resolution, 2.5-6 mm VFAI Lens, 24 V AC or PoE IEEE 802.3af, H.264, PAL
HD3MDIH02	Network TDN Indoor Fixed Minidome Camera, 1/4" Progressive Scan, CMOS, 720p Resolution, 10-28 mm VFAI Lens, 24 V AC or PoE IEEE 802.3af, H.264, NTSC
HD3MDIH02X	Network TDN Indoor Fixed Minidome Camera, 1/4" Progressive Scan, CMOS, 720p Resolution, 10-28 mm VFAI Lens, 24 V AC or PoE IEEE 802.3af, H.264, PAL

**NOTE:** Honeywell reserves the right, without notification, to make changes in product design or specifications.

### Automation and Control Solutions

Honeywell Security Products Americas  
 2700 Blankenbaker Pkwy, Suite 150  
 Louisville, KY 40299  
 1.800.323.4576  
 www.honeywell.com

