

## DH-CA-D660BP-P

### High Resolution Zoom Dome Camera



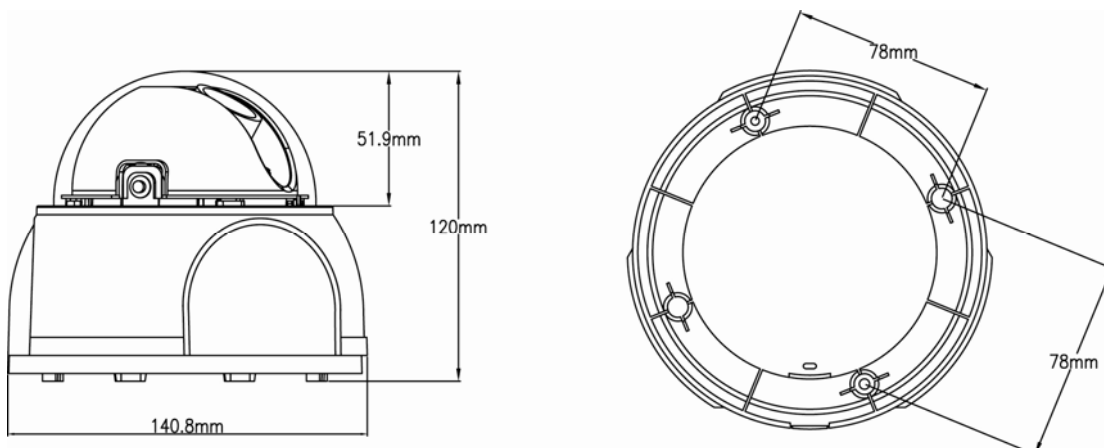
#### Model

**DH-CA-D660BP-P:** 600TVL, 4~9mm zoom, Auto Iris, PAL

#### Features

- > 1/3" SONY Super HAD II CCD
- > High resolution of 600TVL
- > Mini. Illumination of 0.1Lux/F1.4
- > Auto Electrical Gain control
- > Auto White Balance
- > Auto Electronic Shutter
- > Backlight Compensation
- > High Signal to Noise Ratio (SNR)
- > 4~9mm Zoom Auto Iris lens
- > Support Pan/Tilt rotation

#### Dimensions (mm)



# DH-CA-D660BP-P

## Specifications

<b>Model</b>	<b>DH-CA-D660BP-P</b>
<b>Camera</b>	
Image Sensor	1/3" SONY Super HAD II CCD
Video Format	PAL
Effective Pixels	752(H) x 582(V), 440K pixels
Horizontal Resolution	600TVL
Mini. Illumination	Color: 0.1Lux/F1.4
Electronic Shutter	1/50s~1/100,000s
S/N Ratio	>52dB(AGC Off)
White Balance	Auto
Gain Control	Auto
BLC	Auto
Synchronization	Internal
Video Output	1Vp-p Composite Output (75Ω/BNC)
<b>Lens</b>	
Focal Length	4~9mm
Auto Iris	Yes
<b>General</b>	
Power Supply	DC12V±10%
Power Consumption	2.5W
Working Temperature	-10°C~+60°C
Dimension	Φ140.8mm x 120mm
Weight	400g

## Accessories (Optional)

**Power:** DC12V/0.8A

---

### Dahua Technology Co., Ltd.

1187 BinAn Road, Binjiang District, Hangzhou, China

Tel: +86-571-87688883

Fax: +86-571-87688815

Email: [overseas@dahuatech.com](mailto:overseas@dahuatech.com)

[www.dahuatech.com](http://www.dahuatech.com)

\*Design and specifications are subject to change without notice.

© 2010 Dahua Technology Co., Ltd.