

eProx® Tag

125 kHz Proximity

125 kHz Embedded Proximity Access Transponder • I390



ACCESS reliability.

Application

Add HID proximity to any device by gluing, molding or fastening the eProx® Tag proximity transponder to any nonmetallic housing. The eProx Tag can be used in diverse tagging applications, such as long-range gate transmitters, containers and keyfobs.

Features

- ▶ Offers consistent read range and reliable operation.
- ▶ RF-programmable for ease of encoding with HID's ProxProgrammer®.
- ▶ Compatible with existing HID proximity cards and readers.
- ▶ Implantable in all nonmetallic materials.

Features

Description	RF programmable, 125 kHz, customer specified ID numbers.
Proven, Reliable Technology	Offers extremely consistent read range. Unaffected by body shielding or variable environmental conditions, even when close to keys and coins.
Security	Offers over 137 billion unique codes.
Long Life	Passive, no-battery design allows for an infinite number of reads.
Warranty	Lifetime warranty against defects in materials and workmanship (see complete sales policy for details).

Specifications

Typical Maximum* Read Range

ProxPoint® Plus reader-up to 2.0" (5.1 cm)
MiniProx® reader-up to 2.25" (5.7 cm)
ThinLine II® reader-up to 2.5" (6.4 cm)
Prox80™ reader up to 2.25" (5.7 cm)
ProxPro® II reader up to 3.5" (8.9 cm)
ProxPro® reader up to 4" (10.2 cm)
MaxiProx® reader up to 4.5" (11.4 cm)
*Dependent on local installation conditions.

Data Storage

Up to 84 bits (Over 1.9x1025 codes)

Dimensions

Diameter: 0.866" (22.0mm)
Max. thickness (chip): 0.033" (0.83mm)
Coil thickness: 0.016" (0.40mm)

Operating Temperature

-50° to 160° F (-45° to 70° C)

Weight

0.019 oz. (0.54 gm)

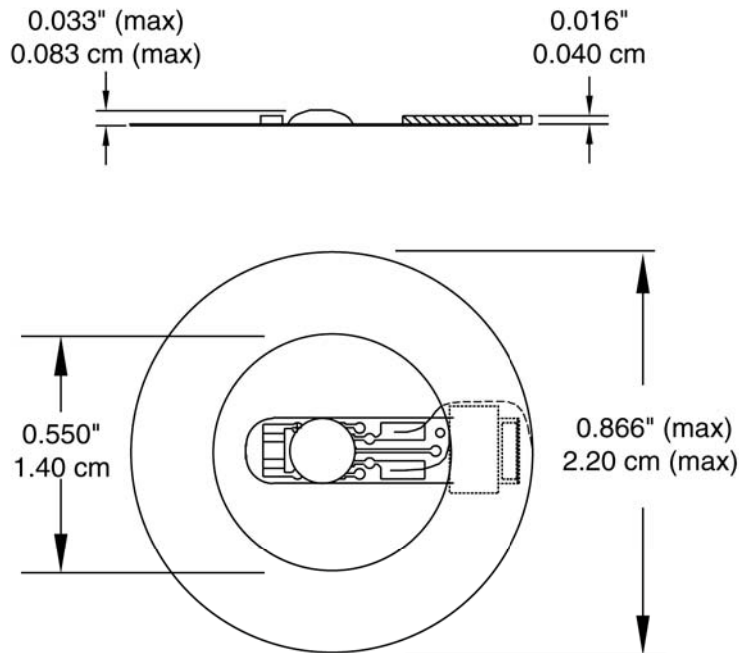
Part Number

Base Part No.: 1390

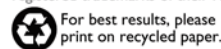
Description

RF-programmable, 125 kHz, customer-specified ID numbers, locations marked for horizontal and vertical slot punch

(Please see "How to Order Guide" for a description of the options and associated part numbers.)



© 2007 HID Global. All rights reserved. HID, and the HID logo are trademarks or registered trademarks of HID Global in the U.S. and/or other countries. All other trademarks, service marks, and product or service names are trademarks or registered trademarks of their respective owners. Rev. 4/2007



MKT-ePROX_DS_EN



ACCESS experience.

HID Global Offices:

Corporate North America
9292 Jeronimo Road
Irvine, CA 92618-1905
U.S.A.
Phone: (800) 237-7769
Phone: (949) 598-1600
Fax: (949) 598-1690

Asia Pacific
19/F 625 King's Road
North Point
Island East
Hong Kong
Phone: +852 3160-9800
Fax: +852 3160-4809

Latin America
Circunvalacion Ote. #201 B
Despacho 2
Col. Jardines del Moral
Leon 37160, Gto.
Mexico
Phone: +52 477 779 1492
Fax: +52 477 779 1493

Europe, Middle East & Africa
Homefield Road
Haverhill, Suffolk
CB9 8QP
England
Phone: +44 (0) 1440 714 850
Fax: +44 (0) 1440 714 840